

Armstrong Custom Cart Drawer Form

800/323-4220 • Fax: 847/913-0138

This is not an Order Form

Note: This form must accompany Purchase Order.

INDIVIDUAL ORDERING (PRINT)/DEPT.		CITY	STATE	ZIP	DATE
FACILITY NAME		PHONE	FAX		
CUSTOMER CODE#		QUOTE#	PURCHASE ORDER #		
<input type="checkbox"/> Loading Dock <input type="checkbox"/> Lift Gate (add cost) <input type="checkbox"/> Inside Delivery (add cost)	SALES REP	C/S REP	SIGNATURE		

CUSTOMIZE YOUR CART

3" 6" 9" 12"

4 drawer sizes available. Drawer slides can be moved up or down in 3" increments to accommodate different drawer configurations.

Dotted lines are positioned in 3" height increments. To illustrate the drawer configuration, fill in dots according to desired drawer sizes, only on top and bottom of where drawers are to be placed. Write drawer size on appropriate line to the left of cart drawing. The number should equal the total listed and be in the proper order.

A-SMART® STEEL CART — 30" OR 24" HIGH.

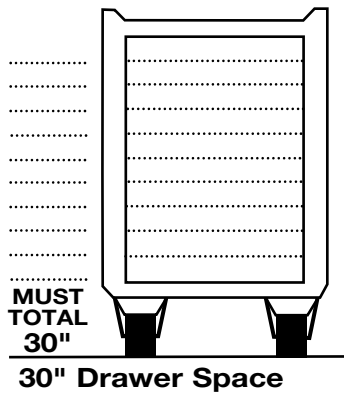
Push-Button

Breakaway

Key Lock

Special Set-up req.
\$25.00 service charge per cart

Key Alike req.



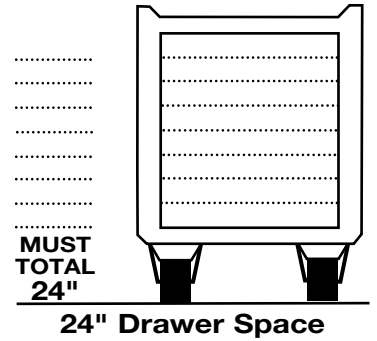
Push-Button

Breakaway

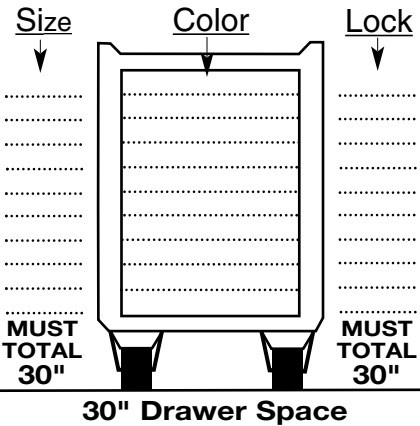
Key Lock

Special Set-up req.
\$25.00 service charge per cart

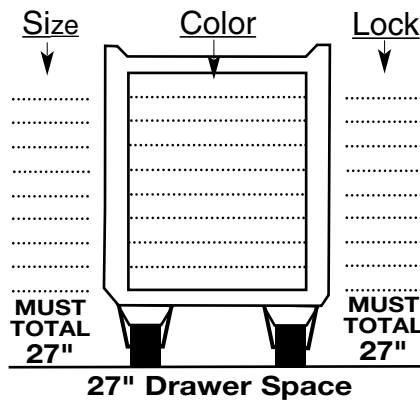
Key Alike req.



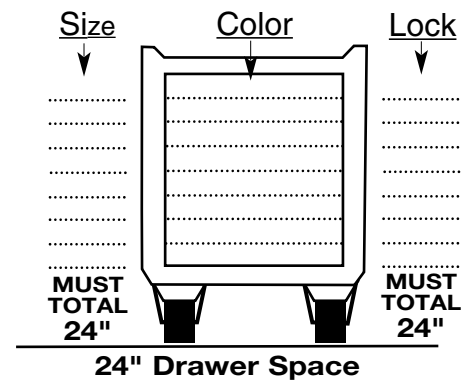
A-SMART® ALL ALUMINUM PREMIER™ CART — 30", 27" OR 24" HIGH. (Plastic Top Included)



Breakaway Key Lock Electronic
 Special Set-up req.
\$25.00 service charge per cart
 Key Alike req. # _____



Breakaway Key Lock
 Special Set-up req.
\$25.00 service charge per cart
 Key Alike req. # _____



Breakaway Key Lock Electronic
 Special Set-up req.
\$25.00 service charge per cart
 Key Alike req. # _____

DRAWER COLORS

BEIGE SHELL TWO-TONE CART

- AA = Deep Blue
- AB = Crash Cart Blue
- AR = Red
- B = Beige
- BG = Blue Grey

- CB = Taupe
- CR = Cranberry
- HG = Hunter Green
- L = Lavender
- M = Mauve

- SB = Slate Blue
- SFG = Seafoam Green
- T = Teal
- Y = Yellow

Catalog #: _____ Quantity of Carts: _____

Use separate sheet for each change of color or style.